

G30

G-series

for Avid® S3 with Dock



Your dream studio
just got closer.

800.315.0878 or 573.557.3150
www.ArgosyConsole.com

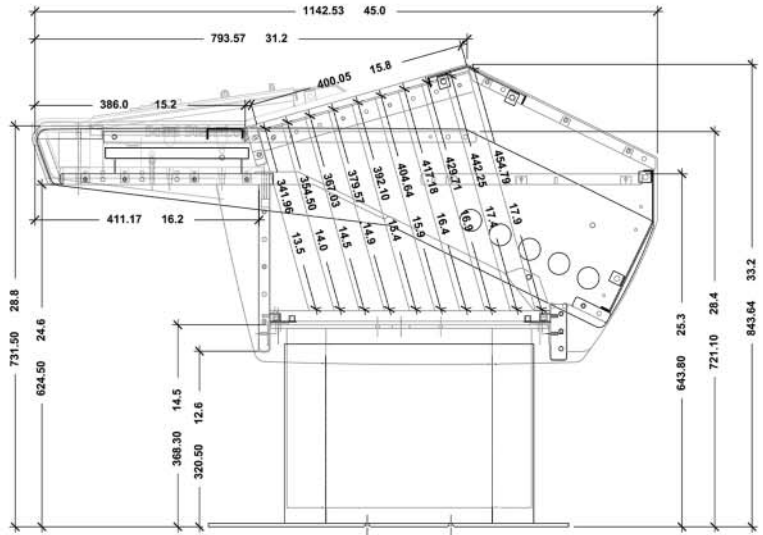
©2016 Argosy Console, Inc.

●●●●●ARGOSY.

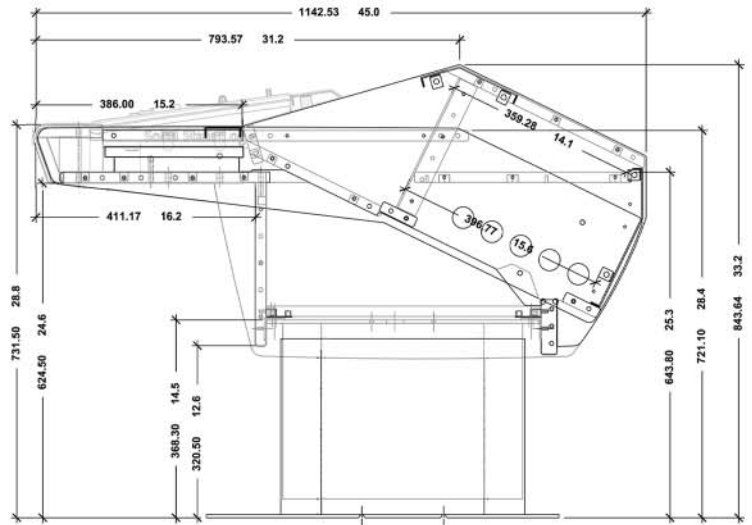
G30



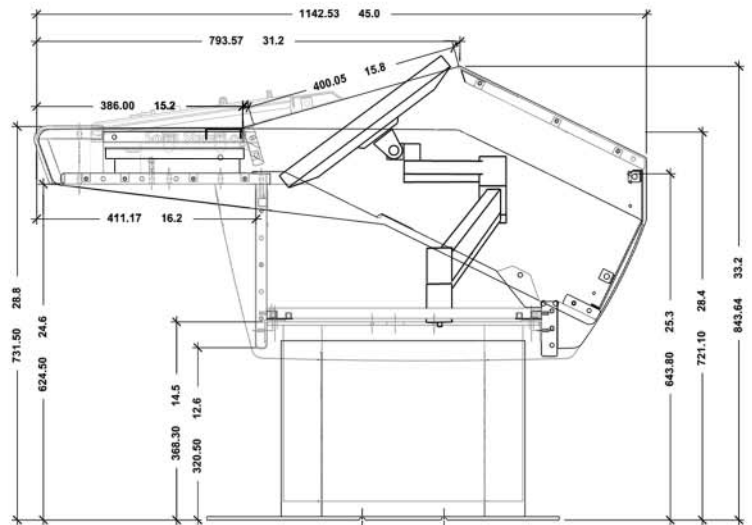
Specifications
in Millimeters - Inches



G-series with R9 rack module



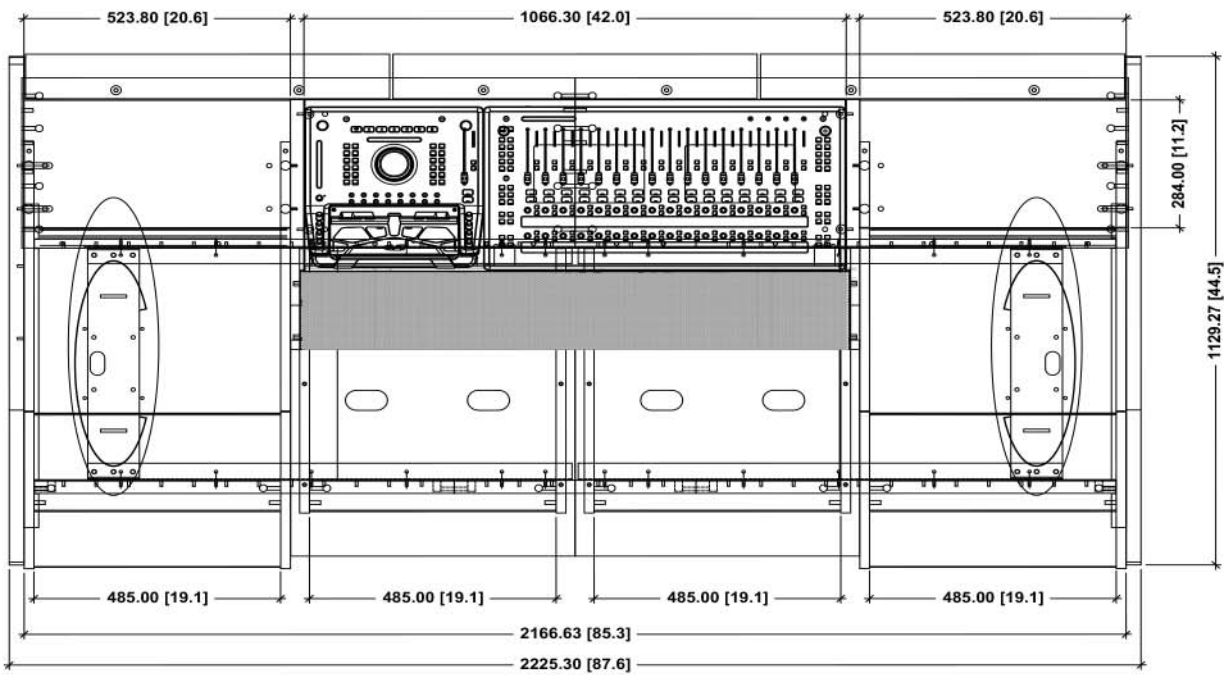
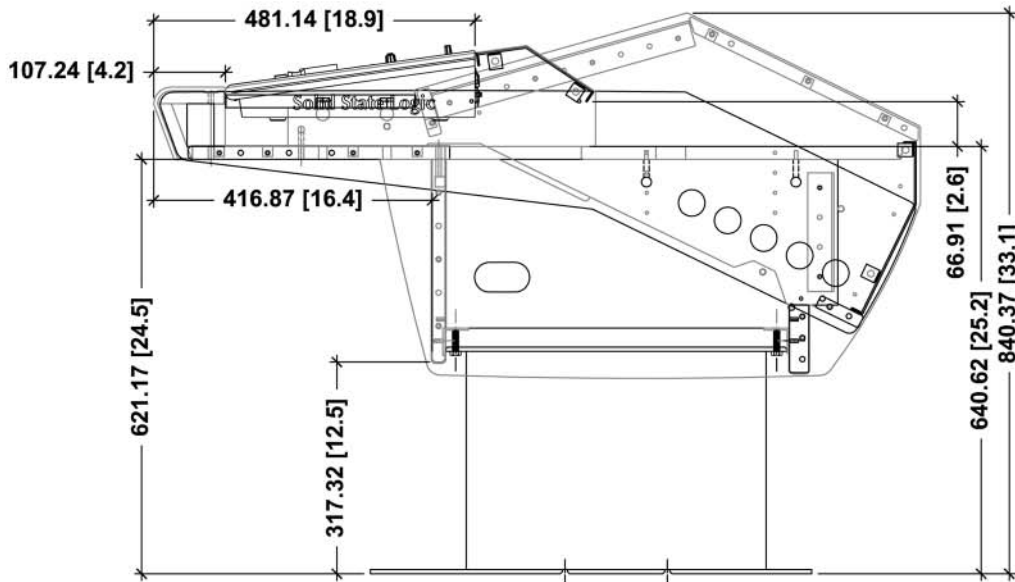
G-series with R6 rack module



G-series monitor rack with monitor arm accessory

800.315.0878 or 573.557.3150
www.ArgosyConsole.com

G-series for Avid® S3



Calculated lines of the G-Series enable unobstructed line-of-sight and line-of-sound while putting every essential control at your fingertips. Elevated chassis provides transparency to low frequencies, while the pitched surface and perforated grills intentionally foil early sound reflection and defeat build-up of standing waves.

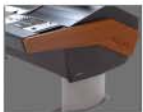
Steel chassis rail and leg system support 19-32mm powder coated mdf components for unparalleled support of your studios most vital equipment.

G-series is available in a variety of set-ups for your Avid® S3 and with rack and trim options, you can spec out your own customized G-series desk.



- Precision Fit and Finish
- Steel Chassis Rails & Legs
- Powder Coated Components
- Padded Armrest
- Trim Options

ACCESSORIES



Mahogany
Hardwood
Endpanels



Monitor
Arms



Rack 'n Roll
Accessory
Racks



Speaker
Stands

NEED A CUSTOMIZED SOLUTION?

Give us a call to discuss what you have in mind, we're happy to help.

800.315.0878 or 573.557.3150

www.ArgosyConsole.com

●●●●●ARGOSY®