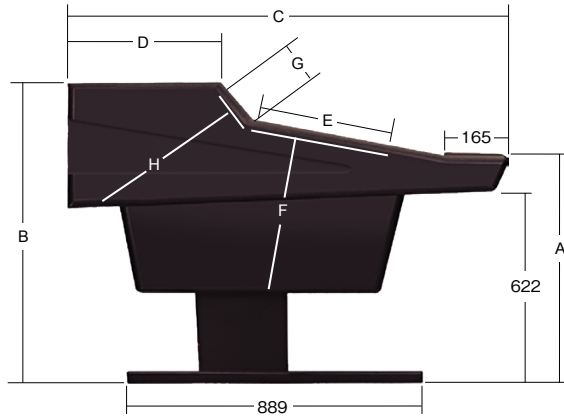


FEATURES AND TECHNICAL SPECIFICATIONS

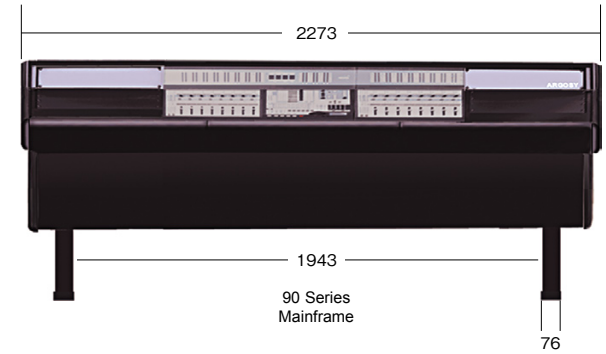
90 SERIES

90 Series for	A height	B height	C depth	D depth	E rack sp	F min. depth	G rack sp	H min. depth
Digidesign Control 24	724	1029	1067	235	5 sp.	387	7 sp.	152-355
Digidesign ProControl	736	952	1130	387	8 sp.	394	2 sp.	198
Mackie 8 Bus	724	952	1130	387	8 sp.	362	3 sp.	362
Mackie D8B	724	952	1067	387	6 sp.	400	2 sp.	279
Mackie DXB	736	952	1130	387	3 sp.	406	6 sp.	210
Panasonic DA-7	724	1029	1067	343	7 sp.	387	4 sp.	356
Sony DMX-R100	749	1110	1067	330	4 sp.	394	5 sp.	267
SoundCraft Ghost	749	940	1130	356	8 sp.	387	2 sp.	336
Tascam DM24	724	1029	1130	235	5 sp.	387	7 sp.	152-355
Tascam DM3200/DM4800	724	1054	1194	330	10 sp.	400	3 sp.	305
Tascam FW1884	724	952	1067	387	6 sp.	400	2 sp.	279
Yamaha DM2000	736	1041	1270	298	11 sp.	400	3 sp.	273
Yamaha O2R/O2R.96	749	1041	1194	254	11 sp.	406	3 sp.	229

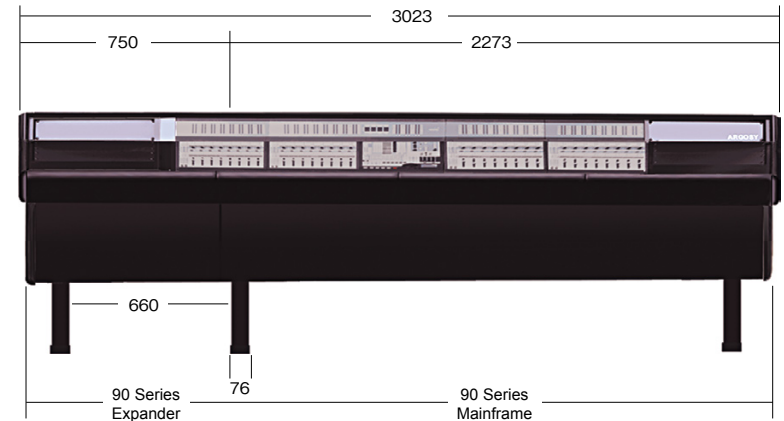
単位:mm



単位:mm



90 Series
Mainframe



単位:mm

90 Series
Expander

90 Series
Mainframe