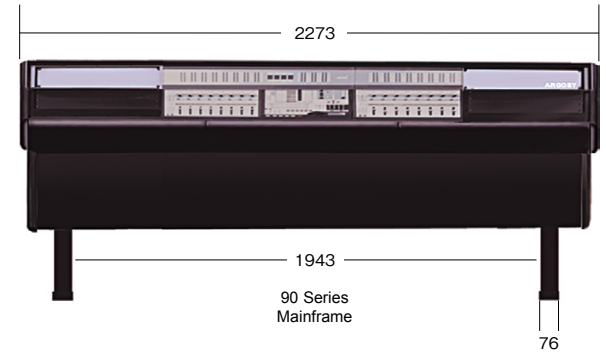


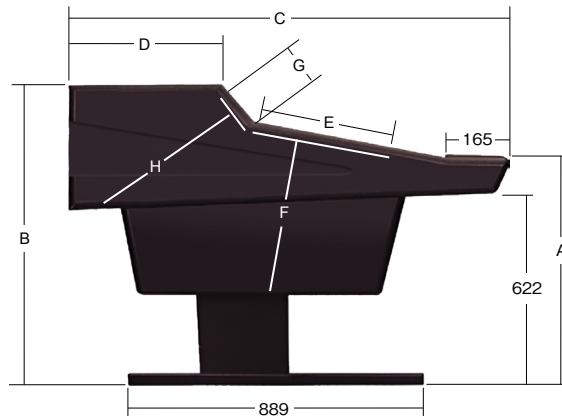
FEATURES AND TECHNICAL SPECIFICATIONS

90 SERIES

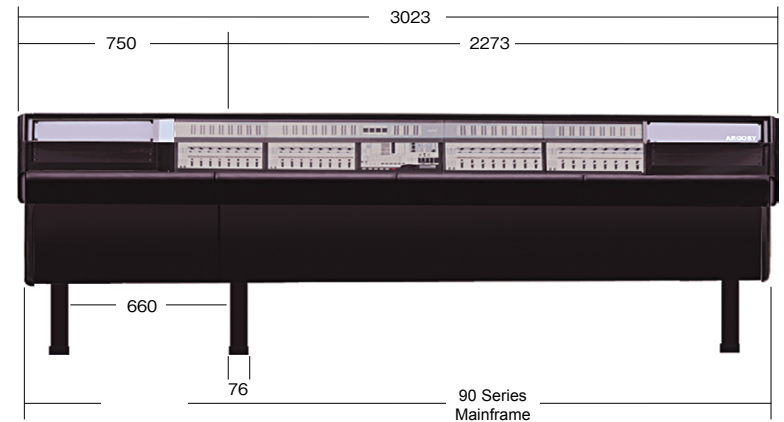
90 Series for	A height	B height	C depth	D depth	E rack sp.	F min. depth	G rack sp.	H min. depth
Digidesign Control 24	724	1029	1067	235	5 sp.	387	7 sp.	152-355
Digidesign ProControl	736	952	1130	387	8 sp.	394	2 sp.	198
Mackie 8 Bus	724	952	1130	387	8 sp.	362	3 sp.	362
Mackie D8B	724	952	1067	387	6 sp.	400	2 sp.	279
Mackie DXB	736	952	1130	387	3 sp.	406	6 sp.	210
Panasonic DA-7	724	1029	1067	343	7 sp.	387	4 sp.	356
Sony DMX-R100	749	1110	1067	330	4 sp.	394	5 sp.	267
SoundCraft Ghost	749	940	1130	356	8 sp.	387	2 sp.	336
Tascam DM24	724	1029	1130	235	5 sp.	387	7 sp.	152-355
Tascam DM3200/DM4800	724	1054	1194	330	10 sp.	400	3 sp.	305
Tascam FW1884	724	952	1067	387	6 sp.	400	2 sp.	279
Yamaha DM2000	736	1041	1270	298	11 sp.	400	3 sp.	273
Yamaha O2R/O2R.96	749	1041	1194	254	11 sp.	406	3 sp.	229



単位:mm



単位:mm



単位:mm

Dimensional Information:

ARGOSY 70/90 series console for Tascam DM-3200 or DM-4800

70 series width: 68.2" (1730mm)
90 series width: 89.5" (2270mm)
add 29.2" (740mm) for each expander chassis.

Rack space depths:

1. 14.5" (368mm)
2. 15.0" (381mm)
3. 15.5" (394mm)
4. 16.0" (406mm)
5. 16.5" (419mm)
6. 17.0" (432mm)
7. 17.5" (445mm)
8. 18.0" (457mm)
9. 7.0" (178mm)
10. 7.5" (190mm)
11. 9.0" (228mm)
12. 8.75" (222mm)
13. 8.5" (216mm)

