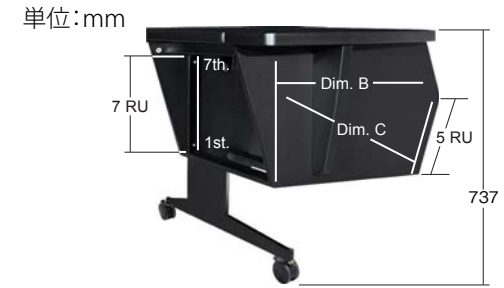


# AURA.260

## FEATURES AND TECHNICAL SPECIFICATIONS

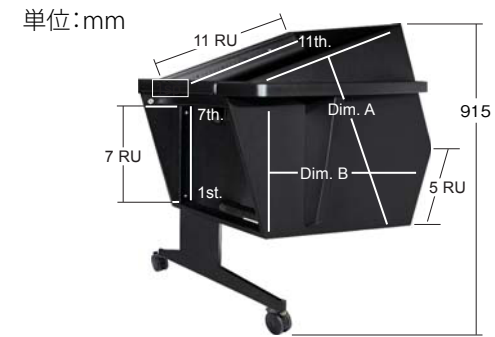


AURA.260 Lower Rack

### Rack Space Depth:

- Dim. A 1-3 spaces; 406 depth  
4-11 spaces are unrestricted to floor
- Dim. B 1-4 spaces are unrestricted  
5-7 spaces; 482 approximate depth
- Dim. C 508 approximate depth

AURA.260 is shipped disassembled and is available in four different models. The 260-N features a full desk surface with "lower" racks on the left and right. The 260-LR has "upper" and "lower" racks on the left and right side. AURA.260 is also available in combinations of one "upper" side rack and one "lower" side rack unit. The 260-L (not shown) features an "upper" rack on the LEFT side. The 260-R (not shown) features an "upper" rack on the RIGHT side. \*Free shipping within the continental United States.



AURA.260 Upper Rack