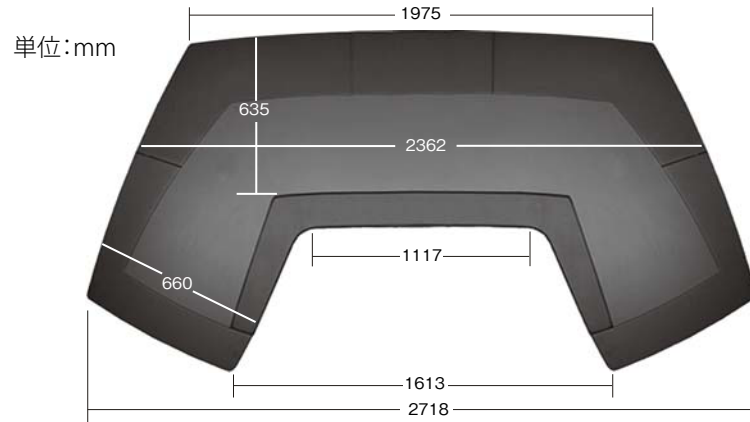


FEATURES AND TECHNICAL SPECIFICATIONS

# AURA.520

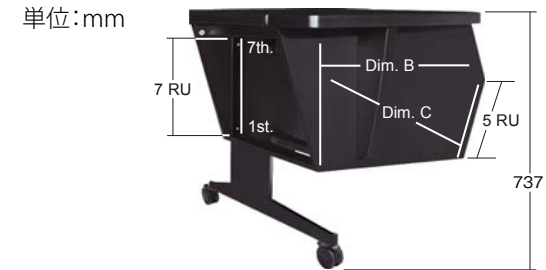


AURA.520-N

AURA.520 is shipped disassembled and is available in four different models. The 520-N features a full desk surface with "lower" racks on the left and right. The 520-LR has "upper" and "lower" racks on the left and right side. AURA.520 is also available in combinations of one "upper" side rack and one "lower" side rack unit. The 520-L (not shown) features an "upper" rack on the LEFT side. The 520-R (not shown) features an "upper" rack on the RIGHT side. \*Free shipping within the continental United States.



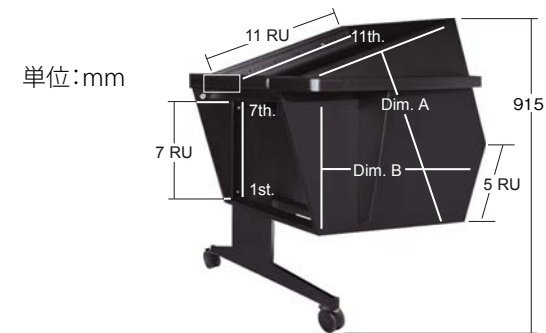
AURA.520-LR



AURA.520 Lower Rack

Rack Space Depth:

- Dim. A 1-3 spaces; 406 depth  
4-11 spaces are unrestricted to floor
- Dim. B 1-4 spaces are unrestricted  
5-7 spaces; 482 approximate depth
- Dim. C 508 approximate depth



AURA.520 Upper Rack